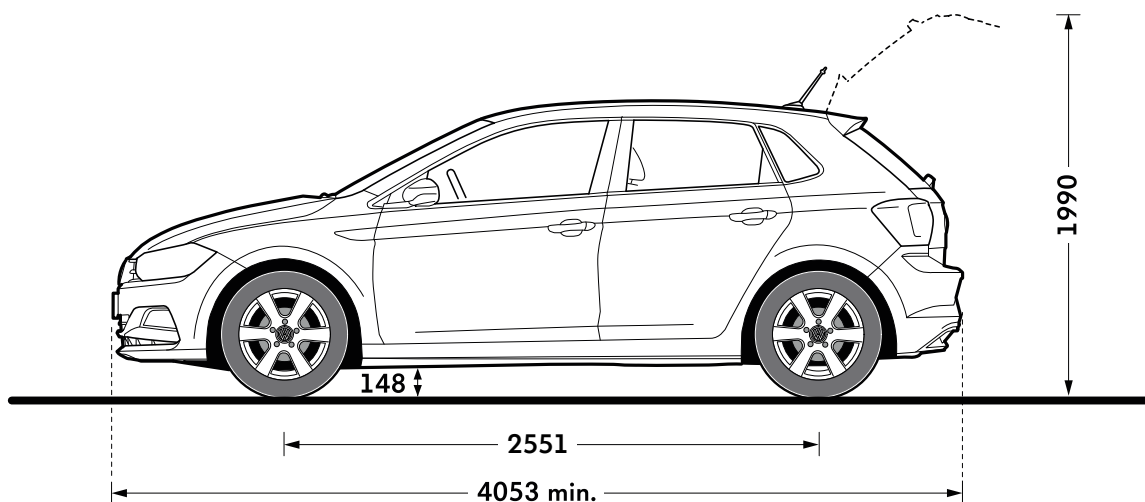


# New Polo dimensions – 5-door



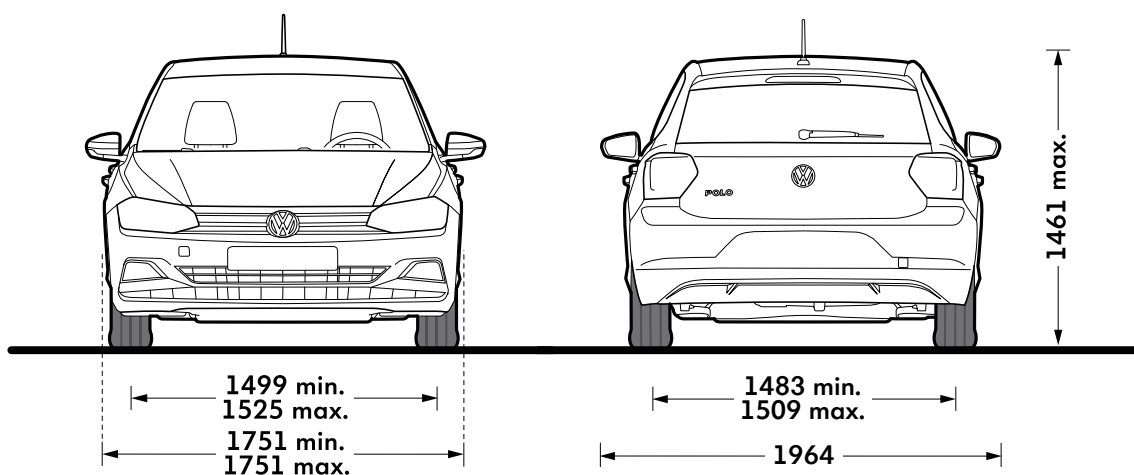
Volkswagen

## Exterior dimensions



### Exterior dimensions

Exterior dimensions	New Polo
Length – minimum, mm	4053
Height – opened tailgate/floor, mm	1990
Wheelbase, mm	2551
Turning circle, m	10.6



### Exterior dimensions

Exterior dimensions	New Polo
Width – including door mirrors, mm	1964
Width – excluding door mirrors minimum/maximum, mm	1751/1751
Height – maximum, mm	1461

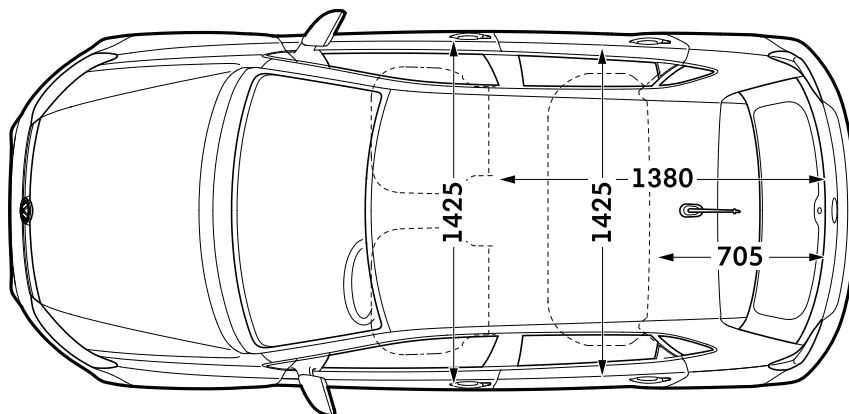
Figures shown are for standard specification models. The addition of certain factory-fitted options and/or accessories may affect some of the dimensions shown.

# New Polo dimensions – 5-door



Volkswagen

## Interior dimensions



### Interior dimensions

Interior width, front, mm

New Polo

1425

Interior width, rear, mm

1425

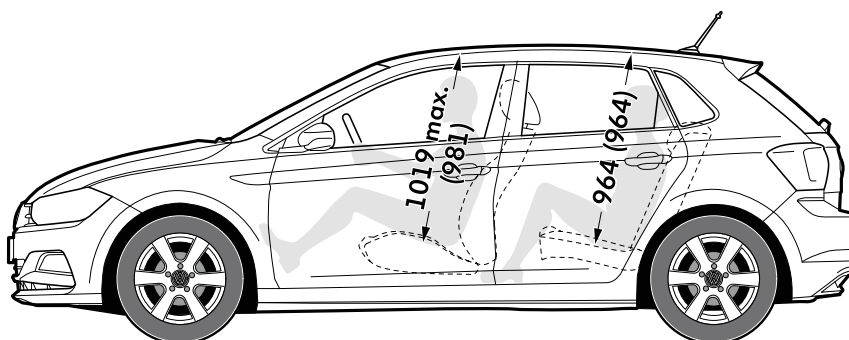
### Maximum luggage capacity, litres VDA measuring method using 200 x 100 x 50mm blocks

With rear seats upright and rear bench forward

351

With rear seats folded and rear bench forward

1125



### Interior dimensions

Effective headroom – front maximum, mm (with sunroof)

New Polo

1019 (981)

Effective headroom – rear, mm (with sunroof)

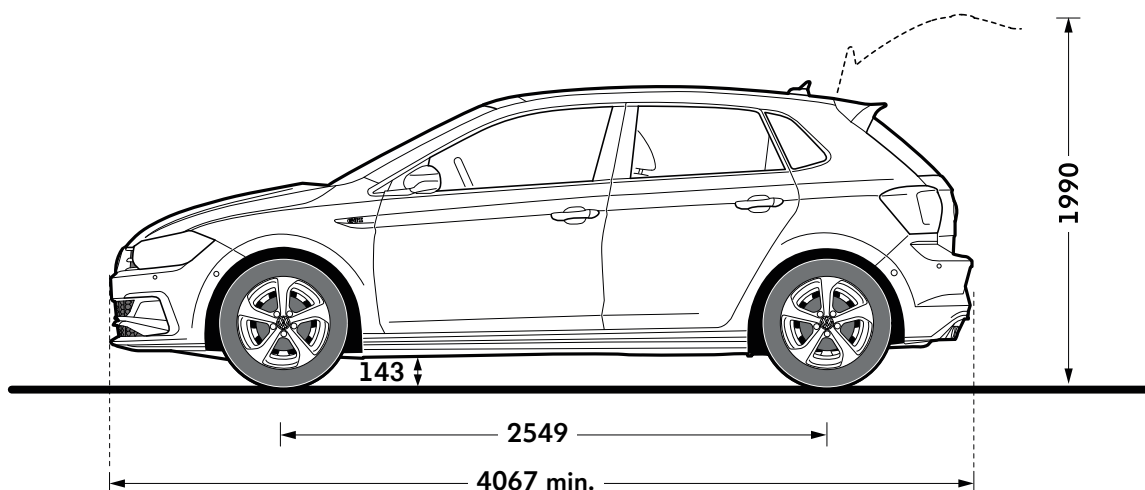
964 (964)

# New Polo GTI/GTI+ dimensions – 5-door



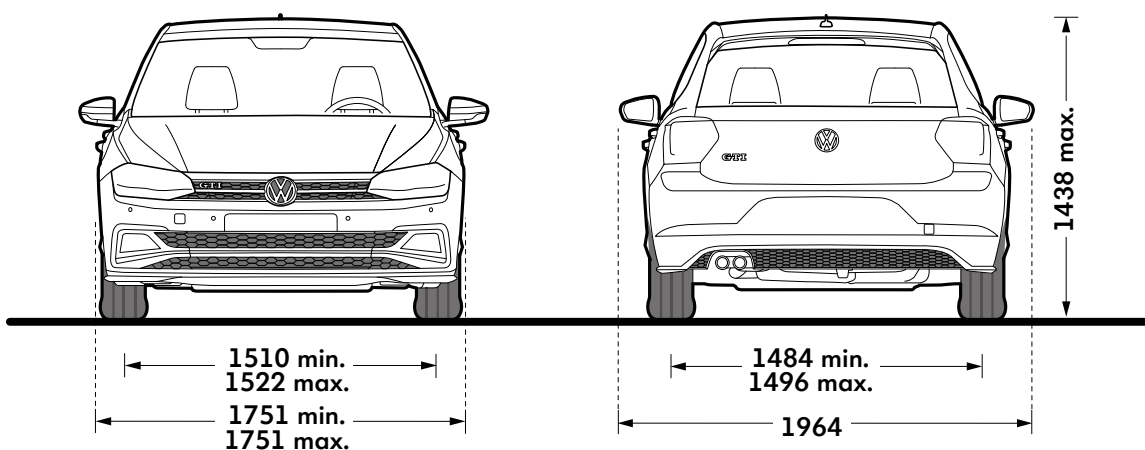
Volkswagen

## Exterior dimensions



### Exterior dimensions

Exterior dimensions	New Polo GTI/GTI+
Length – minimum, mm	4067
Height – opened tailgate/floor, mm	1990
Wheelbase, mm	2549
Turning circle, m	10.6



### Exterior dimensions

Exterior dimensions	New Polo GTI/GTI+
Width – including door mirrors, mm	1964
Width – excluding door mirrors minimum/maximum, mm	1751/1751
Height – maximum, mm	1438

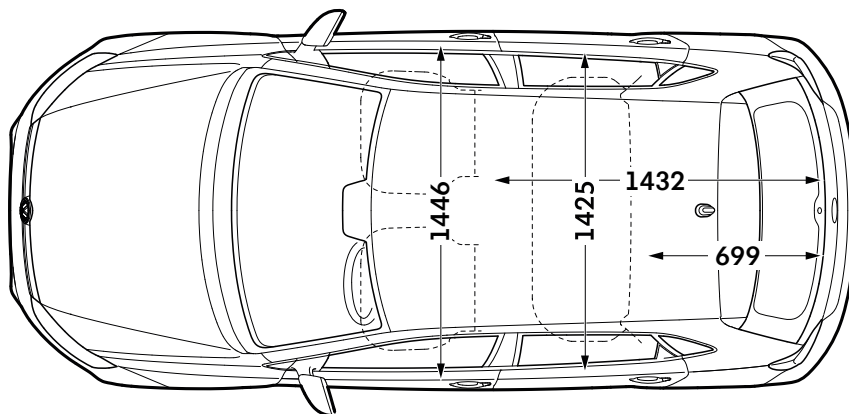
Figures shown are for standard specification models. The addition of certain factory-fitted options and/or accessories may affect some of the dimensions shown.

# New Polo GTI/GTI+ dimensions – 5-door



Volkswagen

## Interior dimensions



### Interior dimensions

Interior width, front, mm

### New Polo GTI/GTI+

1446

Interior width, rear, mm

1425

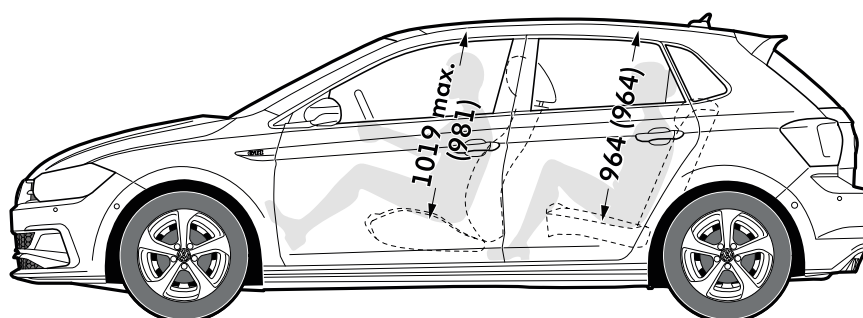
### Maximum luggage capacity, litres VDA measuring method using 200 x 100 x 50mm blocks

With rear seats upright and rear bench forward

305

With rear seats folded and rear bench forward

1079



### Interior dimensions

Effective headroom – front maximum, mm (with sunroof)

### New Polo GTI/GTI+

1019 (981)

Effective headroom – rear, mm (with sunroof)

964 (964)