

# The new Scirocco R





**TR**

## **Perfection + Power = The new Scirocco R.**

Unprecedented performance, unparalleled design, unbelievable fun, the new Scirocco R offers you the ultimate driving experience. No corner too exciting, no trip too daunting and no task too intimidating. Are you ready for the challenge?





**Technology + Passion = Performance.**

Model shown is new Scirocco R with optional 19" 'Talladega' alloy wheels and metallic paint.





**Ergonomics + Capability = Driving fun.**

Model shown is new Scirocco R with optional 19" 'Talladega' alloy wheels and metallic paint.





**Energy + Style = Unique spirit.**

Model shown is new Scirocco R with optional 19" 'Talladega' alloy wheels, panoramic sunroof and metallic paint.



## Equipment

Powerful, dynamic and advanced, the phenomenal new Scirocco R raises the benchmark for sports performance to unprecedented new levels. From the incredible 2.0 litre TSI 265 PS engine to the lowered sports suspension, and from the aerodynamic body shape to the quality craftsmanship within, everything is geared to deliver more driving excitement than ever before. Uncompromising, unbeatable, unequalled – experience the ultimate adrenaline buzz in the fastest Scirocco yet.



High quality aluminium insets in the door sills feature the distinctive 'R' logo, highlighting the sports styling.



The 'Cherry red' rear light clusters flow seamlessly into the dynamic contours of the new Scirocco R, complementing its striking rear design and conveying its sporting prowess for all to see.



The body-coloured rear roof spoiler highlights the dynamic shape of the new Scirocco R's sporting body, while ensuring optimum roadholding through improved aerodynamics.



The stunning 18 inch 'Talladega' alloy wheels feature the eye-catching 'R' logo detailing on the 'Gloss Black' brake calipers complete with sports suspension lowered by approx. 10 mm. XDS, an extension of the Electronic Differential Lock (EDL) function, is linked to the Electronic Stabilisation Programme (ESP) hydraulics and works by applying pressure to the inner front wheel during cornering to prevent spinning. The one-sided, precise brake pressure helps to maximise traction and reduce understeer, thus making cornering even more sporty, safe and accurate.



The front of the new Scirocco R immediately attracts attention, with its sleek bonnet and striking high 'Gloss Black' radiator grille. This creates a stunning overall effect, reinforced by the Volkswagen roundel fitted flush to the bonnet, accentuating the flowing bodylines.



Bi-Xenon headlights combine dipped and main beams in one integrated unit that flows seamlessly into the radiator grille. Static cornering function and automatic range adjustment ensure the driver benefits continually from optimum illumination when driving at night. Newly designed separate daytime running lights utilise LED technology for clearer vision and also ensure your vehicle is visible in any weather. Headlight washers and a low washer fluid warning light are also included to help keep them clear.



Neatly integrated into either side of the 'Gloss Black' rear diffuser, the chrome exhaust tailpipes hint at the power beneath the bonnet, visually emphasising the excellent roadholding of the Scirocco R.





The new Scirocco R's unique interior features an abundance of the finest quality materials, all finished to the highest standards of craftsmanship. Contemporary 'Kyalami' upholstery in Titan Black with 'San Remo' alcantara side bolsters in Crystal Grey add a sporty, elegant look to the front heated sports seats. Other details include the embroidered 'R' logo on the front head restraints, front and rear carpet mats and a luxurious leather trimmed multifunction steering wheel featuring 'Gloss Black' inserts, 'R' logo and contrast stitching. 'Gloss Black' surrounds in the centre console, air vents and grab handles create a luxury feel to the interior, while aluminium-look pedals and kick plates combine with 'Silver Lane' decorative inserts to give the passenger compartment a real sports identity, making any journey one of pure, unadulterated fun.



The leather trimmed three-spoke multifunction steering wheel with stylish 'R' logo, 'Gloss Black' inserts and contrast stitching enables you to control the multifunction computer and radio functions both easily and safely. Specify the new Scirocco R with the DSG Direct Shift Gearbox and it comes equipped with paddle shift as standard, allowing quick gear changes without taking your hands off the steering wheel.



Clear white instrument lighting with atmospheric illumination and blue needles on all dials hint at the Scirocco R's sporting intent. The multifunction computer (Highline) can be operated easily via the multifunction steering wheel, providing the driver with essential information.



The RCD 510 touch-screen radio/dash-mounted MP3 compatible six CD autochanger features a large 6½ inch colour display, with intuitive menu navigation and touch-screen operation. It also features an AUX-in socket for connection to an external multimedia source (e.g. iPod or MP3 player) and an SD memory card slot.



The Multi Device Interface (MDI) with iPod and USB cables enables you to connect and charge a compatible device, while track selection is viewed via the RCD 510 radio system's screen.



The multifunction computer (Highline) provides important information as you travel, such as time, average speed, fuel consumption, exterior temperature and range of the fuel tank.



'Silver Lane' decorative inserts provide an elegant design detail in the dashboard, with the 'R' logo adding an extra touch of style to the glove compartment.



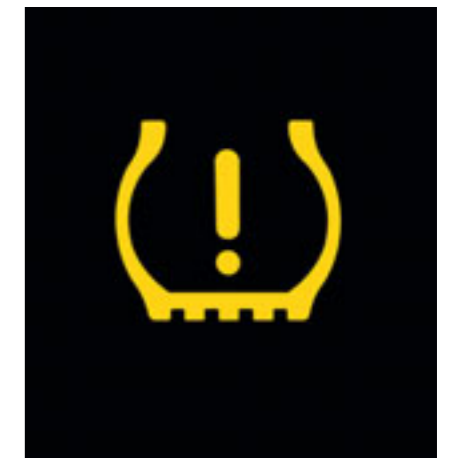
The 2Zone electronic climate control with automatic air recirculation system features dual zone temperature control for the driver and front passenger, allowing each to select their individually preferred temperature. Heated front seats allow the driver and front seat passenger to select between one of three individual temperature settings.



Specify the Scirocco R with a dual-clutch DSG gearbox and the leather trimmed multifunction steering wheel features paddle shift as standard, to allow quick gear changes without taking your hands off the steering wheel.



Aluminium-look race inspired pedals add a refined touch, the anti-slip cover enhancing safety and performance.



In the event of a change in air pressure, the flat tyre indicator symbol appears in the display of the multifunction computer, advising the driver to rectify the situation.





The RNS 510 DVD touch-screen navigation/radio system with integrated voice control will guide you to your destination using all but the last two digits of a UK postcode and includes a 6½" colour display, 3D representation and touch-screen operation. This state-of-the-art system responds to spoken voice commands for navigation, CD and radio functions. It also plays videos (when the vehicle is stationary) and music from the DVD drive, 30 GB hard drive, SD card reader or via the MDI (Multi Device Interface) or AUX-in socket.



'Talladega' 8J x 19 light alloy wheels with 235/35 R19 tyres takes the exterior of the Scirocco R to a new level of styling.

## Optional equipment

Practical extras can be an extremely useful way of creating exactly the Scirocco R you desire. With this in mind, a selection of different options are available, each one ensuring your Scirocco R meets your individual requirements. This reflection of your personality and lifestyle makes the Scirocco R more irresistible than ever. So, why fight the temptation?



An addition to improve your journey's soundtrack is the 'Dynaudio' sound system incorporating an eight channel digital amplifier. Available in conjunction with the standard RCD 510 radio or optional RNS 510 DVD navigation/radio system, it provides impressive acoustics and delivers 300 watts through eight high performance speakers.



In addition to your RNS 510 DVD touch-screen navigation/radio system you can also specify an armrest-mounted six CD autochanger, in lieu of MDI (Multi Device Interface), allowing you to choose between a selection of your favourite CDs.



Electrically heated, adjustable and foldable 'Gloss Black' door mirrors with integrated indicators can be easily operated from the comfort of the driver's seat.



For relaxed motorway driving, cruise control is the perfect answer. Operational at speeds above approximately 20 mph, the system can be set to maintain a constant speed.



Luxurious 'Vienna' leather upholstery in Black includes heated front sports seats which provide optimum lateral support on tight bends ensuring maximum driving fun. Driver's and front passenger's seat height adjustment and electrically-adjustable driver's seat lumbar support will ensure the best possible seating position on every journey.

Interior shown is Scirocco R 2.0 litre 265 PS DSG.  
Some parts of leather interior contain artificial leather.



The electric panoramic glass tilt only sunroof is just as eye-catching from the outside as it is from the inside. Adding light and space, it fills the interior with additional natural light, providing an uninterrupted view of the sky overhead.



When ordered in conjunction with the 'Vienna' leather upholstery option, the 12-way electrically-adjustable driver's seat offers adjustments for your seating position, enabling you to enjoy the most ergonomic and beneficial support for your spine.





The **Electronic Stabilisation Programme (ESP)** recognises critical driving situations and reacts in milliseconds by targeting brake and management systems, controlling the speed of individual wheels and helping to bring the vehicle under control. As a result the vehicle achieves maximum directional stability.

## Safety

The new Scirocco R not only delivers new levels of driving fun, but also, a wealth of advanced safety equipment, helping to make every journey as safe as possible. Features include a sophisticated airbag system, an Anti-lock Braking System (ABS) with Hydraulic Brake Assist (HBA) and an Electronic Stabilisation Programme (ESP) which recognises critical driving situations and reacts in milliseconds. Front whiplash-optimised head restraints, two rear head restraints, warning buzzer and light for seat belts if unfastened and Isofix child seat preparation provide additional all-round safety. Such a high level of protection means you've nothing else to think about except sitting back, relaxing and enjoying the drive.



Image shown is for illustration purposes only and may not necessarily reflect UK specification.

An **extensive airbag system** offers protection to all passengers in the Scirocco in the event of an emergency situation. The system comprises curtain airbags for front and rear passengers, with front seat side impact airbags providing additional lateral protection for the driver and front seat passenger. There is also a driver's and passenger's airbag with deactivation switch for the front passenger airbag. Deployment of the airbags is managed via crash sensors: if an impact is registered, the gas generator ignites, which then fills the airbag within 30 to 40 milliseconds.



Optional rear **parking sensors** help you park aided by an audible warning and a visual display via the RCD 510 radio system's display.



The two **whiplash-optimised front head restraints** not only ensure additional comfort, but also provide particularly effective support for the head and spine in the event of a collision.



The Scirocco R comes with **Volkswagen's XDS system**, which in conjunction with ESP, is designed to provide maximum grip and driving stability by helping to prevent loss of traction while cornering.

Paint



Candy White  
Non-Metallic  
B4



Viper Green  
Metallic  
6B



Rising Blue  
Metallic  
4C



Reflex Silver  
Metallic  
8E



Deep Black  
Pearl Effect  
2T

■ Standard ■ Optional at extra cost

Please note: Screen technology does not allow for exact reproduction of the paint colours.



## Upholstery

Titan Black/Crystal Grey

Sports seats in 'Kyalami' cloth with 'San Remo' alcantara side bolsters  
IH



Black

Sports seats in 'Vienna' leather\*  
QX



■ Standard ■ Optional at extra cost

Please note: Screen technology does not allow for exact reproduction of the upholstery colours.

## Combinations

	Seat upholstery	Carpet	Dashboard	Candy White (B4)	Rising Blue Metallic (4C) *	Viper Green Metallic (6B) *	Reflex Silver Metallic (8E) *	Deep Black Pearl Effect (2T) *
<b>Sports seats in 'Kyalami' cloth with 'San Remo' alcantara side bolsters</b> Standard on R	Titan Black/Crystal Grey (IH)	Anthracite	Anthracite/ Anthracite	●	●	●	●	●
<b>Sports seats in 'Vienna' leather * †</b> Optional on R	Black (QX)	Anthracite	Anthracite/ Anthracite	○	○	○	○	○

\* Metallic and pearl effect paints and 'Vienna' leather upholstery are optional at extra cost.  
† Some parts of leather interior will contain artificial leather.

● Standard.  
○ Optional at extra cost.

## Engine and gearboxes

Whichever gearbox you select to couple with the phenomenal 2.0 litre TSI 265 PS engine, you can be sure of outstanding performance and excellent torque. That's because advanced Volkswagen TSI engine technology delivers phenomenal results, whatever the length of your journey.



A combination of direct injection, downsizing and intelligent loading technology lets petrol engines with TSI Technology work particularly effectively, offering such advantages as high performance, high torque and improved fuel consumption. The new 2.0 litre TSI 265 PS engine is a perfect example of this technology and power and can accelerate the Scirocco R to 62 mph in 6.0 seconds on its way to a top speed of 155 mph, where the law permits.



The six speed manual gearbox transmits power with short, accurate shifts and very smooth handling, making it easy to drive at the right engine speed.



The dual-clutch Direct Shift Gearbox (DSG) shifts smoothly into the pre-selected next gear within a split second. Not only is the six speed gearbox very dynamic, its level of efficiency is actually slightly superior to its manual counterpart.



Image shown is for illustration purposes only and may not necessarily reflect UK specification.

Retuned especially for the Scirocco R, the **Adaptive Chassis Control (ACC)** adapts the damping control and shock absorption rate to road conditions and driving style you require within milliseconds. The touch of a button will decide how firm or comfortable you wish to set the suspension, with a choice of three settings: Normal, Comfort or Sport. In Normal mode, the dampers are constantly adjusted to the road and the driving conditions. In Sport mode, the dampers are considerably stiffer and the steering becomes more responsive. A direct contrast is Comfort mode where the suspension is adjusted to maximise passenger comfort, particularly when travelling on poor road surfaces or long motorway journeys.



**2.0 litre TSI 265 PS**  
**Technical specification**

		<b>Manual</b>	<b>Automatic DSG</b>	<b>Notes</b>
<b>Engine</b>	Engine type	Four cylinder petrol	Four cylinder petrol	<p>01) The maximum power output figures are quoted in PS (or Pferdestärke, which is the metric equivalent of horsepower). To convert from metric to imperial horsepower, divide the PS figure by 1.0139.</p> <p>02) Figures are calculated in accordance with manufacturer's criteria. The individual unladen weight depends on the specification of the vehicle, this then reduces the possible payload accordingly. The unladen weight and payload both include the fuel tank 90% full, driver (68 kg) and luggage (7 kg) in line with EU directive 95/48.</p> <p>03) Thanks to the knock control, unleaded four star (at least 95 RON) can be used instead of unleaded Super plus. In order to achieve maximum fuel consumption benefits on the TSI engine, Ultra Low Sulphur Petrol (ULSP) must be used.</p> <p>04) Official fuel consumption according to EU Directive 99/94. The consumption calculation according to 1999/100/EC is based on the actual unladen weight of the vehicle. Additional specifications can lead to a higher weight class and hence to consumption figures of this higher weight class. The driving style, road and traffic conditions, environmental influences and vehicle condition can in practice lead to consumption figures, which may differ from those calculated with this standard.</p> <p>05) The weight of a vehicle will influence the level of CO<sub>2</sub> emission it produces; as a result, vehicles with higher levels of specification and factory-fitted options may emit higher levels of CO<sub>2</sub>.</p>
	Cubic capacity, ltrs/cc	2.0/1984	2.0/1984	
	Max. output, PS <sup>(01)</sup> /kW at rpm	265/195 6000	265/195 6000	
	Max. torque, lbs.ft/Nm at rpm	258/350 2500-5000	258/350 2500-5000	
	Gearbox	Six speed manual	Six speed auto DSG	
<b>Weights, kgs</b>	Unladen weight <sup>(02)</sup>	1419	1439	
	Gross vehicle weight	1770	1790	
	Payload <sup>(02)</sup>	426	426	
	Axle load limit: Front Rear	1050 770	1070 770	
<b>Load limits, kgs</b>	Max. roof load	75	75	
<b>Performance</b>	Top speed (where the law permits), mph (km/h)	155 (250)	155 (250)	
	Acceleration, secs 0 - 62 mph	6.0	5.8	
	ABI insurance group, 1 - 20 (1 - 50) <sup>†</sup>	17E (34E)	17E (34E)	
<b>Environmental information</b>	Fuel grade, minimum	Unleaded, 95 RON <sup>(03)</sup>	Unleaded, 95 RON <sup>(03)</sup>	
	Fuel tank capacity, galls/ltrs	12.1/55	12.1/55	
	Official fuel consumption, mpg/ltr per 100 km <sup>(04)</sup>			
	Urban	25.0/11.3	25.9/10.9	
	Extra-urban	45.6/6.2	44.8/6.3	
	Combined	34.9/8.1	35.3/8.0	
	Official CO <sub>2</sub> emission, g/km <sup>(05)</sup>	189	187	
Emission class	EURO 5	EURO 5		
Noise, dB	75.0	73.0		

† Please note, as of December 2009 the insurance industry switched from the current rating system of groups 1 - 20 to a new 1 - 50 insurance scale.

## Technology

### Engines

- Front transverse-installed engine
- 2.0 litre/265 PS<sup>(01)</sup> (195 kW) petrol engine: four cylinder in-line engine, aluminium cylinder head, four valves per cylinder with roller rocker finger valve drive, electronic direct injection, variable inlet valve timing, programmed ignition with cylinder-selective anti-knock control, four single spark ignition coils, longlife spark plugs, exhaust gas turbocharger, three-way close-coupled pre-catalyst and underbody catalyst, lambda control

### Transmission

- Front wheel drive through asbestos-free single-plate dry clutch. Hydraulic clutch-mechanism. Six speed manual or six speed automatic DSG gearbox with double joint half axles (wet clutch on six speed DSG models)
- Six speed manual: 2.0 litre TSI 265 PS
- Six speed automatic DSG: 2.0 litre TSI 265 PS

### Steering

- Electro-mechanical steering rack
- Collapsible, height and lengthways adjustable safety steering column

### Brakes

- Electronically controlled Anti-lock Braking System (ABS) with Electronic Brake-pressure Distribution (EBD)
- Diagonal twin-circuit brake system with front and rear disc brakes (front ventilated)
- Asbestos-free brake pads
- Hydraulic Brake Assist (HBA)

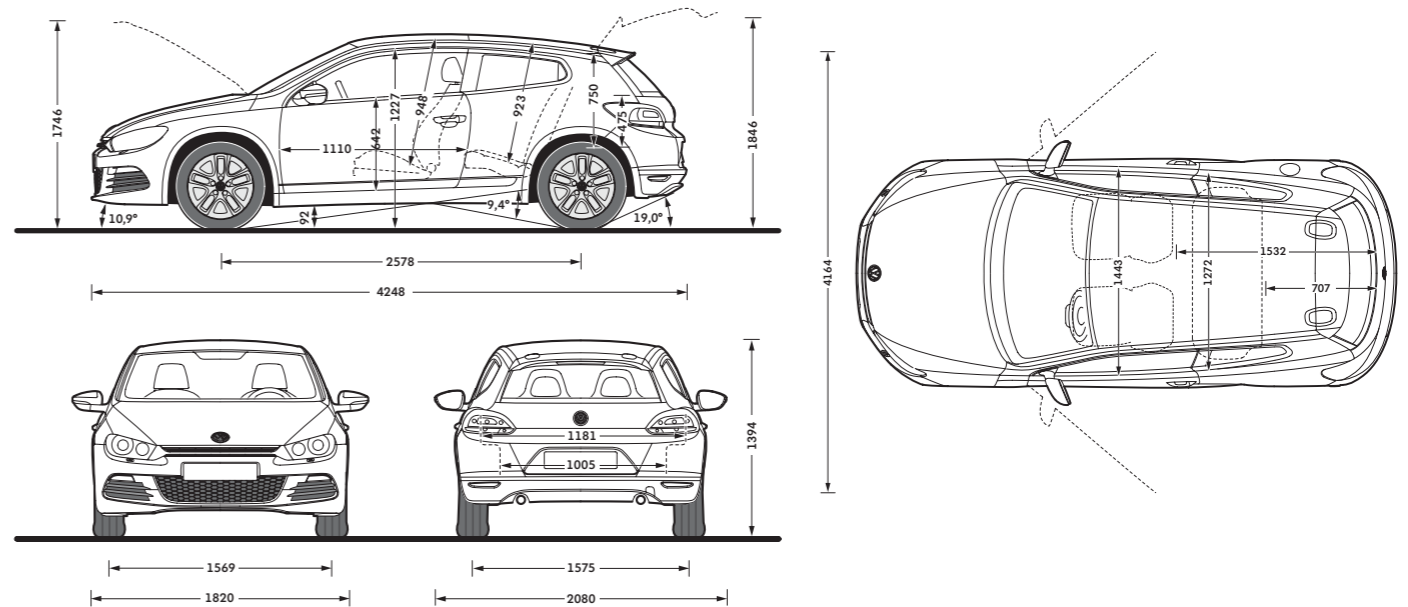
### Running gear

- Electronic Stabilisation Programme (ESP) including Electronic Differential Lock (EDL), Traction Control (ASR) and Countersteer Support
- Front and rear anti-roll bar
- Front suspension through coil springs with telescopic shock absorbers, all elements integrated in chassis legs
- Rear suspension with gas pressure shock absorbers and separate springs
- Wheel control: front through chassis legs and (lower) triangular wishbones (directionally stabilising steering roll radius)
- Wheel control: rear through four-link suspension with independent wheel suspension
- XDS electronic differential lock

01) The maximum power output figures are quoted in PS (or Pferdestärke, which is the metric equivalent of horsepower). To convert from metric to imperial horsepower, divide the PS figure by 1.0139.

## Dimensions

Exterior dimensions		
Length, mm		4248
Width – including door mirrors, mm		2080
Width – excluding door mirrors, mm		1820
Width – opened doors, mm		4164
Height, mm		1394
Height – opened bonnet/floor, mm		1746
Height – opened tailgate/floor, mm		1846
Wheelbase, mm		2578
Turning circle, mm		11000
Interior dimensions		
Effective headroom – front, mm (with sunroof)		953 (948)
Effective headroom – rear, mm (with sunroof)		924 (923)



All figures in millimetres. Image shown is for illustration purposes only.



## Volkswagen service

### The Volkswagen Warranty.

#### Three-year Warranty.

All Volkswagen new Scirocco Rs come with a three-year/60,000 miles warranty, which protects your car against the failure of most mechanical and electrical components due to manufacturing defects. This comprises a two-year manufacturer's warranty with unlimited mileage plus a further one-year/60,000 miles (whichever is soonest) Retailer Warranty. Should the mileage exceed 60,000 miles within the first two years, the manufacturer's two-year warranty will still be valid. If an additional warranty for subsequent years or higher mileage is desired, it may be purchased from an authorised Volkswagen retailer or repairer; however, this additional warranty must be purchased before the mileage reaches 60,000\*. Full details of the three-year warranty are available from your authorised Volkswagen retailer or repairer.

\* All warranty work must be completed by an authorised Volkswagen retailer or repairer.

#### Three-year Paint Warranty.

The paintwork of the new Scirocco R is covered against manufacturing defects for a period of three years. Naturally, the new Scirocco R must be cared for in compliance with the operating instructions which will be found in your vehicle handbook. Please consult your authorised Volkswagen retailer or repairer for full warranty details.

#### 12-year Body Protection Warranty.

The internal body sections and panels of the new Scirocco R are covered against rusting through from the inside for 12 years. Naturally, the new Scirocco R must be cared for in compliance with the operating instructions. Please consult your authorised Volkswagen retailer or repairer for full warranty details.

#### Approved Accessories.

A comprehensive range of accessories from alloy wheels to carpet mats is available to complement the factory-fitted option list. Volkswagen approved accessories purchased from and fitted by your authorised Volkswagen retailer at the point of vehicle sale will also benefit from the three-year vehicle warranty.

### Service Intervals.

Volkswagen are pleased to offer you a choice on how your new Scirocco R is serviced. The appropriate selection is entirely dependent on how the car is likely to be driven and its general use. To help you identify which type of service would be most suitable, please refer to the following guide.

The Time and Distance Service is recommended for vehicles that will cover less than 10,000 miles in 12 months and if the vehicle is likely to be used in the following way:

- Predominantly urban driving, short journeys with frequent cold starts.
- Activities regularly producing high engine loading, e.g. frequent hill climbs, driving with vehicle fully loaded and towing.
- Uneconomical driving style using high rpms with heavy acceleration and heavy braking.

The service intervals for the Time and Distance Service are as follows:

- Oil change service  
Every 10,000 miles/1 year (whichever is soonest).
- Interval service  
Every 20,000 miles/2 years (whichever is soonest).
- Inspection service  
Every 40,000 miles/3 years (whichever is soonest).

The LongLife Service is recommended for vehicles with a daily mileage of more than 25 miles where the vehicle is driven regularly mainly on longer distance journeys. The vehicle is driven mainly at a constant speed with minimum vehicle and engine loading, minimal towing and driven in an economical manner.

With the LongLife Service the vehicle can cover anywhere between 10,000<sup>†</sup> and a maximum of 18,000<sup>†</sup> miles or 24 months (whichever is soonest) between oil changes. Inspection service is typically in the third year of ownership and thereafter every second year, for vehicles with an approximate annual mileage of 10,000 miles.

<sup>†</sup> Please note that mileages are approximate as the service indicator system uses kilometres as the distance measurement. Please consult your authorised Volkswagen retailer or repairer for advice and full details.

#### Extended Warranty.

You may purchase additional protection from your authorised Volkswagen retailer or repairer, or contact 0870 9000 115.

### Volkswagen Insurance<sup>‡</sup>.

We want you to start enjoying your new car from day one and thanks to Volkswagen Insurance complimentary seven day cover, you can. Call free on 0800 316 7892 (lines are open Monday to Friday 8 am - 9 pm and Saturday 9 am - 5 pm), provide a few details and a cover note will be sent to your retailer. They will then tax your car and you can drive it away.

Visit [www.insurewithvolkswagen.co.uk](http://www.insurewithvolkswagen.co.uk) for details of the full range of insurance products available. Here you can also get a quote for your annual car insurance and buy it online too. All of our insurance products are designed to ease the pain of making a claim.

<sup>‡</sup> Volkswagen Insurance is a trading name of Volkswagen Insurance Service (Great Britain) Limited, an appointed representative of Volkswagen Financial Services (UK) Limited, Brunswick Court, Yeomans Drive, Blakelands, Milton Keynes MK14 5LR. Registered in England number 2835230. Volkswagen Insurance is sold, underwritten and administered by Allianz Insurance plc registered in England number 84638. Registered office 57 Ladymead, Guildford, Surrey GU1 1DB. Volkswagen Financial Services (UK) Limited and Allianz Insurance plc are authorised and regulated by the Financial Services Authority. Volkswagen Financial Services (UK) Limited and Allianz Insurance plc are not part of the same corporate group.

### Volkswagen Finance<sup>‡</sup>.

Volkswagen Finance specialises in providing funding solutions for Volkswagen drivers. Whether your Volkswagen is for private or business use, you can choose from a range of funding options.

- Solutions – a personal contract plan
- Hire purchase
- Lease purchase
- Finance lease
- Contract hire

With all Volkswagen Finance products you can choose a fixed-cost maintenance plan to help you budget for your servicing and maintenance costs.

No matter what finance product you choose, your local Volkswagen retailer will be able to provide you with a personalised quote that could meet your budget and vehicle needs.

<sup>‡</sup> Volkswagen Finance is a trading name of Volkswagen Financial Services (UK) Limited. An offer of finance depends on certain conditions. Available to people over 18 in the UK only.

### Volkswagen Roadside Assistance.

Every new car is registered for Volkswagen Roadside Assistance for one year. This provides vehicle home and roadside recovery in the unlikely event of a breakdown in the UK and Europe (subject to conditions). Volkswagen Roadside Assistance can also be purchased for subsequent years. For full details, please contact your authorised Volkswagen retailer or repairer.

### Tax Free Sales.

For full details, please contact your authorised Volkswagen retailer.

### CO<sub>2</sub> Emissions.

Increased weight of a vehicle, including higher trim levels and the addition of options will have a detrimental influence on the level of fuel consumption and CO<sub>2</sub> emissions produced.

The CO<sub>2</sub> and fuel consumption figures are obtained from tests on a representative vehicle of the type, conducted and approved in accordance with Council Directive 80/1268/EEC as amended by Directive 1999/100/EC (or later) on the approximation of the laws of the member states relating to the carbon dioxide emissions and the fuel consumption of motor vehicles.

### Please Note:

Some illustrations in this brochure do not necessarily reflect UK specifications and may not be available. In particular, controls and some items of equipment are positioned differently for the UK.

The specifications contained in this brochure are for information purposes only and are subject to change. If you require any specific feature, you must consult your authorised Volkswagen retailer who is regularly updated with any change in specification. Please check model availability and full specification details with your authorised Volkswagen retailer prior to ordering.

Note: We would like to advise you that telephone calls to Volkswagen Customer Care may be monitored and recorded as part of our training and quality assurance processes. All our monitoring and recording processes meet Ofcom regulations.