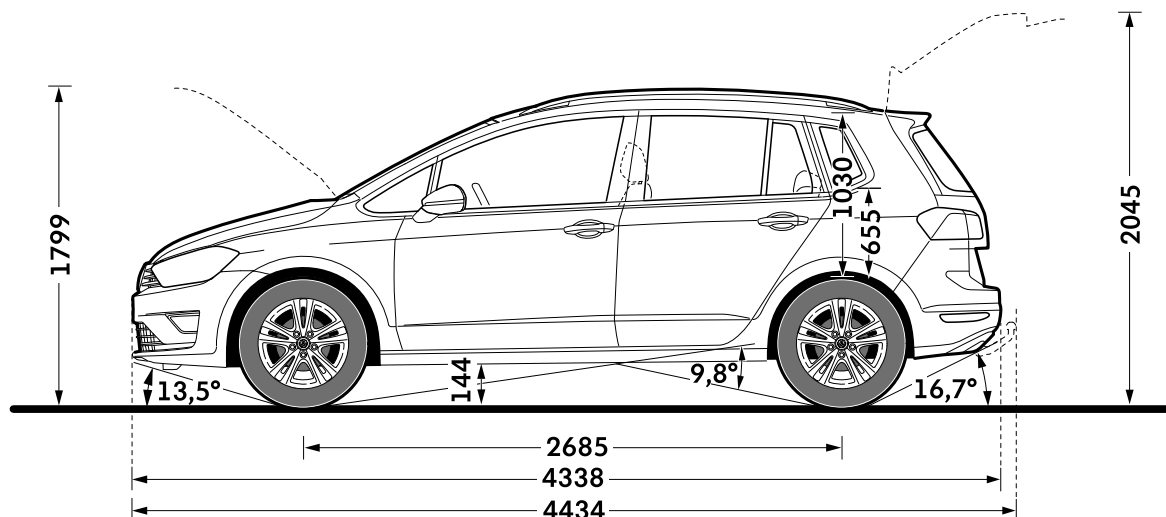


Golf SV dimensions



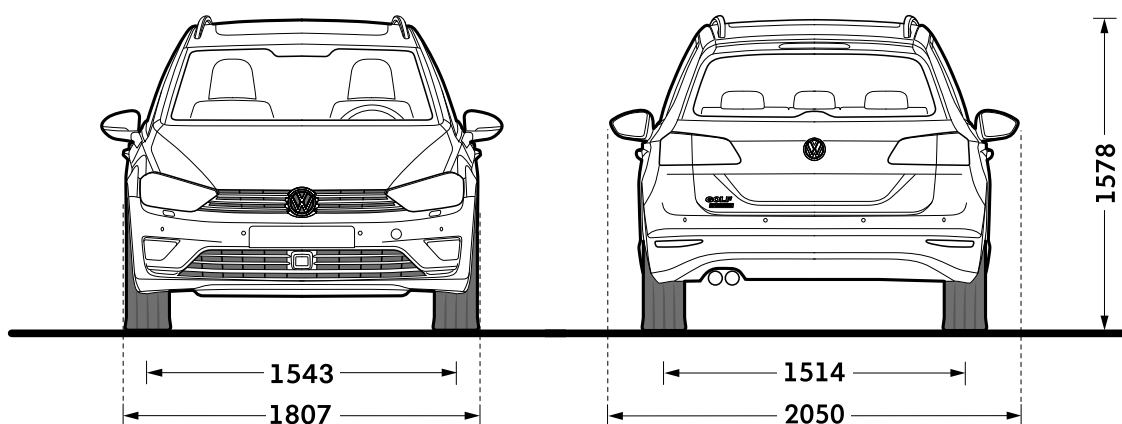
Volkswagen

Exterior dimensions



Exterior dimensions

| Exterior dimensions | Golf SV |
|------------------------------------|---------|
| Length, mm | 4338 |
| Height - opened bonnet/floor, mm | 1799 |
| Height - opened tailgate/floor, mm | 2045 |
| Wheelbase, mm | 2685 |
| Turning circle, m | 11.1 |



Exterior dimensions

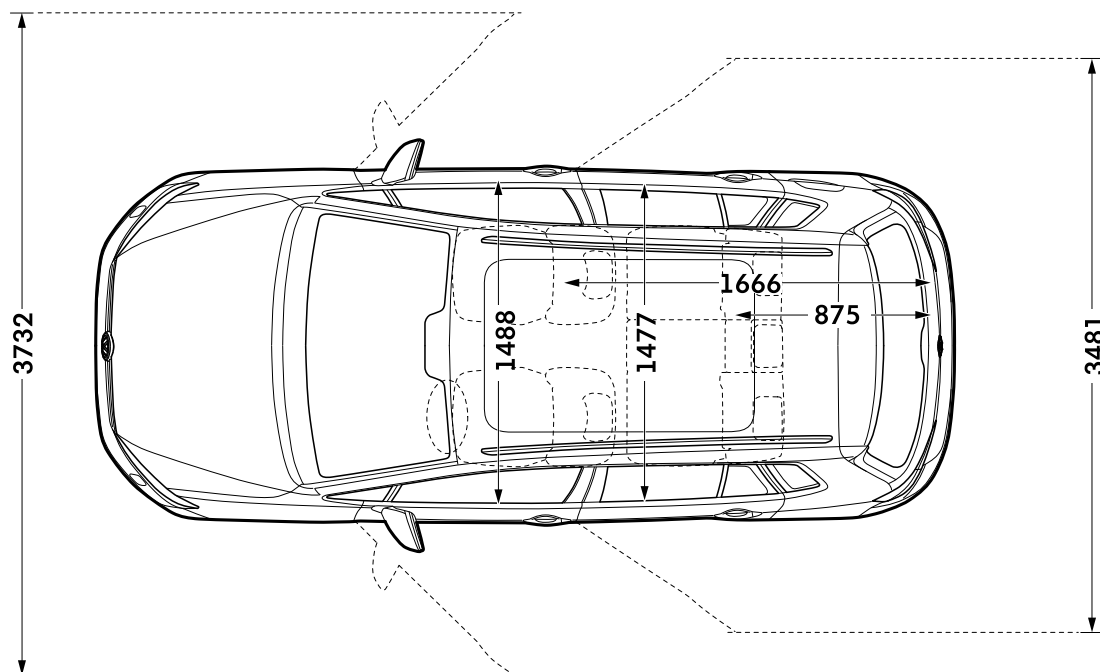
| Exterior dimensions | Golf SV |
|------------------------------------|---------|
| Width - including door mirrors, mm | 2050 |
| Width - excluding door mirrors, mm | 1807 |
| Height, mm | 1578 |

Golf SV dimensions



Volkswagen

Exterior and interior dimensions



Exterior and interior dimensions

Width – opened front/rear doors, mm

Golf SV

3732/3481

Elbow width, front, mm

1488

Elbow width, rear, mm

1477

Maximum luggage capacity, litres VDA measuring method using 200 x 100 x 50mm blocks

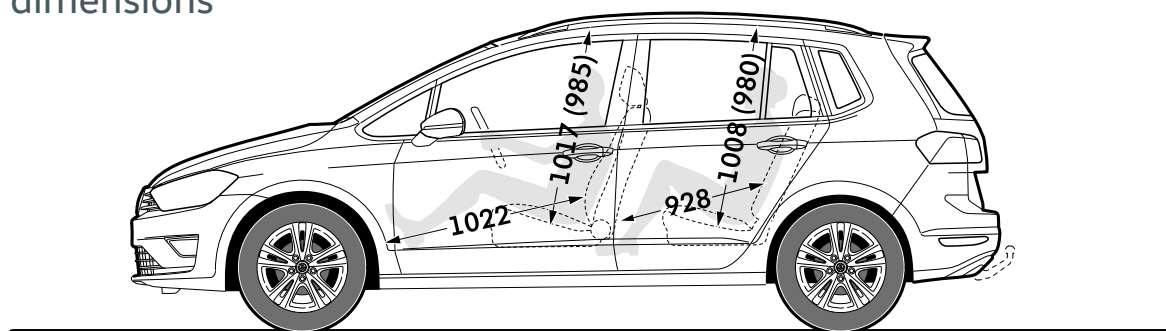
With rear seats upright

500-590

With rear seats folded

1520

Interior dimensions



Interior dimensions

Effective headroom – front, mm (with sunroof)

Golf SV

1017 (985)

Effective headroom – rear, mm (with sunroof)

1008 (980)

Legroom, front, mm

1022

Legroom, rear, mm

928

Figures shown are for standard specification models. The addition of certain factory-fitted options and/or accessories may affect some of the dimensions shown.