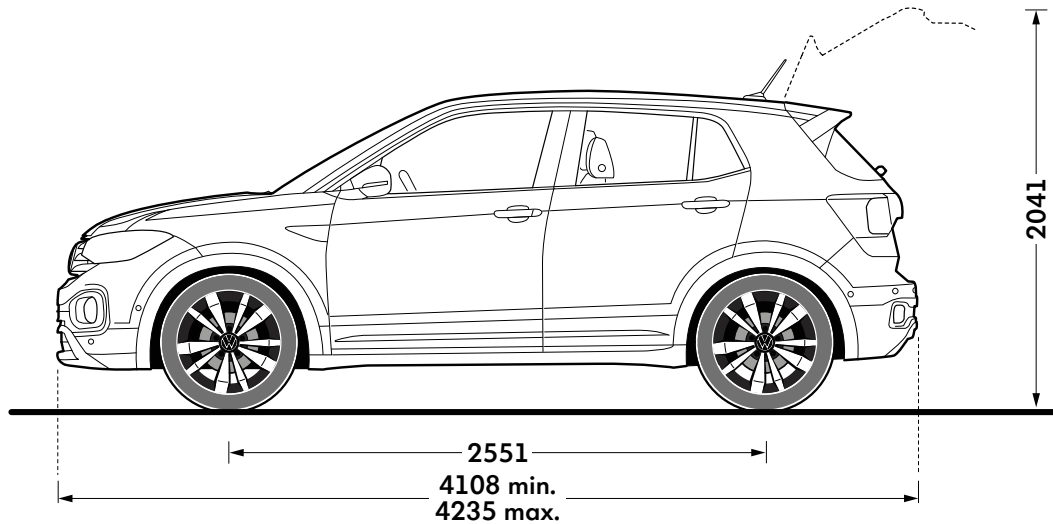




T-Cross dimensions

Exterior dimensions



Exterior dimensions

Length - minimum/maximum, mm

Height - opened tailgate/floor, mm

Wheelbase, mm

Turning circle, m

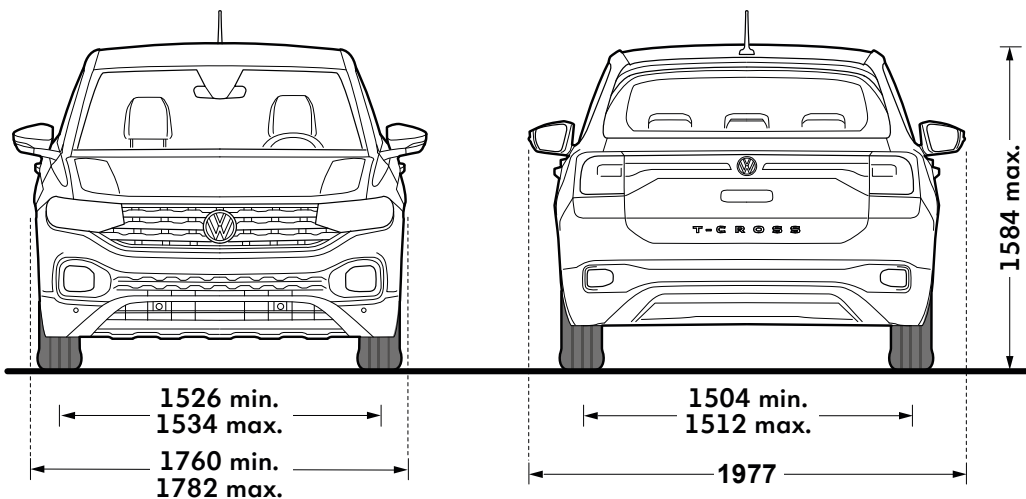
T-Cross

4108/4235

2041

2551

10.6



Exterior dimensions

Width - including door mirrors, mm

Height - maximum, mm

T-Cross

1977

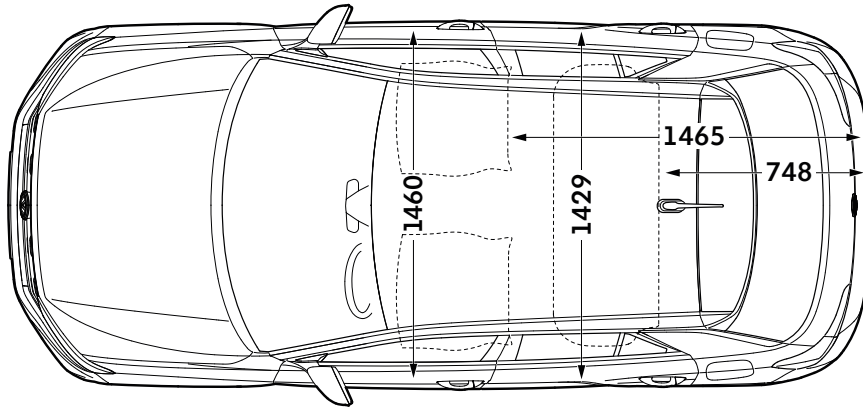
1584

Figures shown are for standard specification models. The addition of certain factory-fitted options and/or accessories may affect some of the dimensions shown. Please note: illustrations shown may not necessarily reflect UK specification.



T-Cross dimensions

Interior dimensions

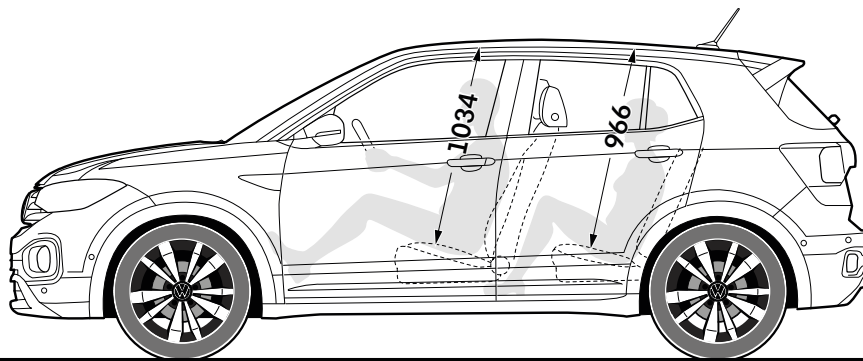


Interior dimensions

	T-Cross
Interior width – front, mm	1460
Interior width – rear, mm	1429

Maximum luggage capacity, litres VDA measuring method using 200 x 100 x 50mm blocks

With rear seats upright and rear bench forward	455
With rear seats folded and rear bench forward	1281



Interior dimensions

	T-Cross
Effective headroom – front, mm	1034
Effective headroom – rear, mm	966